

HC HYDRAULIC COMPACTORS

Compacting soil, trenches and embankments
with attachment compactors.



RDS

ROCK DRILL SALES



Compactor attachments

Hydraulic compactors are designed for compacting soil, trenches and embankments, as well as driving in and pulling out posts and formwork. Machine-driven soil compactors work quickly and economically and are easy to operate.

Compactors as attachments

Quiet and safe: A compactor attachment creates little noise and offers added safety benefits, particularly when used in trenches, as there is no longer any need for someone to stand directly in the workspace.

Calm and effective: Both the operator and the surrounding environment remain unaffected by the vibrations of the working equipment. There are no restrictions on the period of use per working shift.

Easy positioning: Optional continuous rotation device makes it easier to position the compactor. Even areas of the terrain which are hard to access can be reached more easily. The productivity of the compactor can be enhanced considerably using this rotation device.

Fast and safe thanks to backfill blades: These optional blades will make the compactor even easier to use. They level off the path so that work can progress smoothly and protect against any material being thrown up.



Our features make the difference

Instantly ready for use and cost-effective

Up and running quickly: no special installation is required on the carrier machine.

Overload protection

The integrated flow rate and pressure control ensures safety, as hydraulic overloading of the compactor is not possible. This is an added bonus when it comes to safety and saving time, especially when using the compactors with different carrier machines.

Multi Purpose

Axle bolt installed for extraction purposes only. Used for extraction of form-work, sheeting, piling & posts.

Improved force distribution, reduced wear

The housing is offset by 15°. As a result, the force is better distributed across the plate. This means less stress on the compactor during operation and reduced wear.

Versatile

Compactors can be fitted to standard adapter plates and quick-coupling systems.



Virtually zero-maintenance

Permanent lubrication of the bearings using PermanentLube as standard means that the compactor is virtually maintenance-free. No more interruptions to work from manual or insufficient lubrication.

Technical information

Hydraulic Compactors

Technical data		HC 150	HC 350	HC 450	HC 850	HC 1050
Carrier machine class ¹⁾	lbs	2,200 - 6,650	6,400-18,000	8,500-20,000	18,000-45,000	42,000-89,000
Operating weight ²⁾	lbs	355	705	950	1,940	2,490
Oil flow	gpm	8	15	20	30	40
Operating pressure	psi	2,200	2,200	2,200	2,200	2,200
Force	ft lb (t)	3,086 (1.4)	5,071 (2.3)	7,937 (3.6)	16,094 (7.3)	23,149 (10.5)
Frequency	rpm	2,100	2,100	2,200	2,200	2,200
Plate dimensions (L x W)	inch	11.6 x 28.4	18.7 x 33.3	24 x 36.5	28 x 50	34 x 53.75
Work area	ft ² (m ²)	1.85 (.17)	3.64 (.34)	4.63 (.43)	8.53 (.79)	11 (1.0)
Height	inch (mm)	19 1/8" (486)	24 1/2" (622)	24 1/2" (622)	30" (764)	31" (786)

1) Weights only apply to standard carrier machines. Any deviations must be agreed with Atlas Copco and/or with the manufacturer of the carrier machine prior to fitting

2) With standard mounting bracket.

Hole patterns

Hydraulic compactors have the same hole patterns as the corresponding Atlas Copco attachments.

Compactor	Mounting Group
HC 150	SB102/MTG 02
HC 350	SB202/MTG 04
HC 450	SB202/MTG 04
HC 850	MTG 06
HC 1050	MTG 08

Possible applications

- › Compacting trenches
- › Compacting soil
- › Compacting embankments
- › Driving in and pulling out form-work, sheeting, piling and posts

RDS
ROCK DRILL SALES

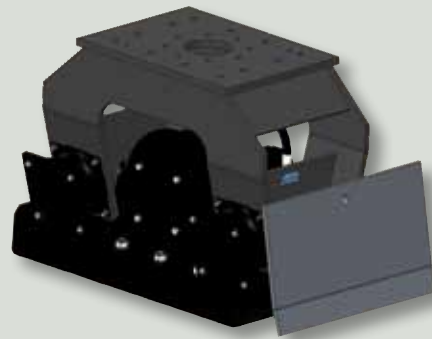
Rotation device as add-on kit

Model	Rotation device	Weight (lb)	Connection kit
HC 350	1826 1016 44	180	3376 6960 37
HC 450	1826 1016 44	180	3376 6970 37
HC 850	1826 1016 44	180	3376 6980 37
HC 1050	1826 1016 45	345	3376 6990 37



Backfill blades

Model	Backfill blade kit
HC 150	3376 6951 08
HC 350	3376 6961 08
HC 450	3376 6971 08
HC 850	3376 6981 08
HC 1050	3376 6991 08



Service kits, fluids

Just one part number for each maintenance job

- › Reduced downtime – perform repairs once instead of multiple times
- › Low maintenance costs – always the cost-effective solution
- › Saves time and money when looking for and ordering individual items



Seal kits hydraulic motor

Model	Rubber isolator kit	Label kit
HC 150	3376 6950 32	3376 6950 31
HC 350	3376 6900 32	3376 6960 31
HC 450	3376 6910 32	3376 6970 31
HC 850	3376 6920 32	3376 6980 31
HC 1050	3376 6930 32	3376 6990 31

Model	Seal kit
HC 150	3376 6950 36
HC 350	3376 6900 36
HC 450	3376 6910 36
HC 850	3376 6920 36
HC 1050	3376 6920 36

Cobra & Compactor ImpactOil



Features

- › reduces the risk of scoring and abrasion
- › reliable protection against wear and corrosion
- › high oxidation stability

Benefits

- › reduced maintenance cost
- › optimized machine lifetime

Cobra & Compactor ImpactOil	Part No.
1 l eccentric oil	9234 0012 03
20 x 1 l eccentric oil	9234 0014 05



COMMITTED TO SUSTAINABLE PRODUCTIVITY

We stand by our responsibilities towards our customers,
towards the environment and the people around us.
We make performance stand the test of time.
This is what we call – Sustainable Productivity.

RDS
ROCK DRILL SALES